

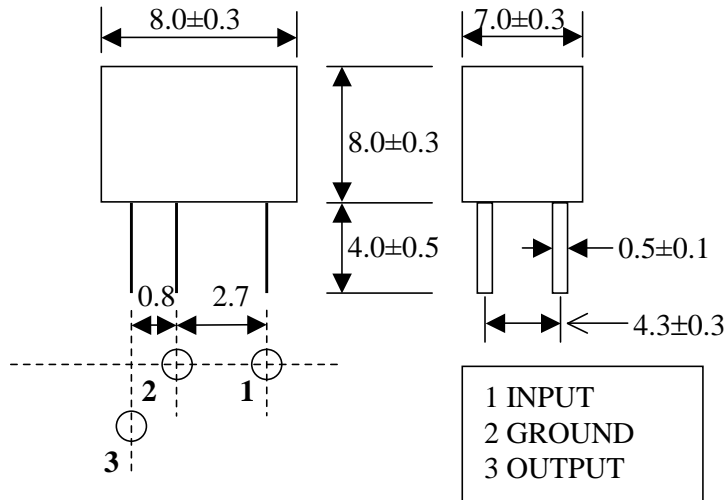
QUARTECH

LT450/455 U SERIES OF CERAMIC FILTER

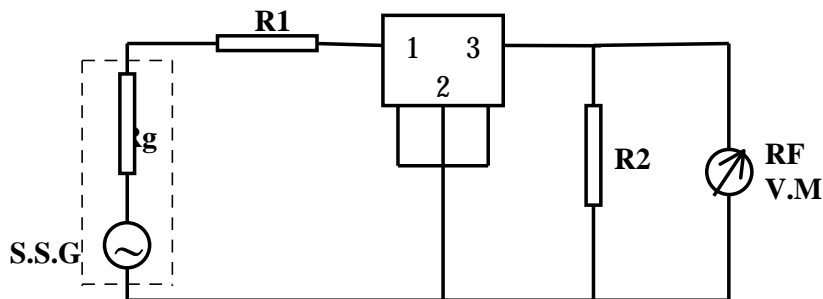
ELECTRIC CHARAC

Part Number	Centre Frequency (F ₀ ±KHz)	Insertion Loss (dB)	Pass Band Ripple (dB)max.	6dB Band Width (KHz)min.	50dB Band Width (KHz)min.	Stop Band ±100KHz (dB)min.	Input/ Output Impedance (ohms)
LT450/455AU	±2.0	4	2	±17.5	±35	28	1000
LT450/455BU	±2.0	4	2	±15	±30	28	1500
LT450/455CU	±2.0	4	2	±12.5	±24	28	1500
LT450/455DU	±1.5	4	2	±10	±20	28	1500
LT450/455EU	±1.5	6	2	±7.5	±15	28	1500
LT450/455FU	±1.5	6	2	±6	±12.5	28	2000
LT450/455GU	±1.5	6	2	±4.5	±10	28	2000
LT450/455HU	±1.0	6	2	±3	±9	28	2000
LT450/455IU	±1.0	6	2	±2	±7.5	28	2000
LT450/455HTU	±1.0	6	2	±3	±9	35	2000

DIMENSIONS (mm)



Test Circuit



$$R_g + R_1 = R_2 = \text{Input/Output Impedance}$$